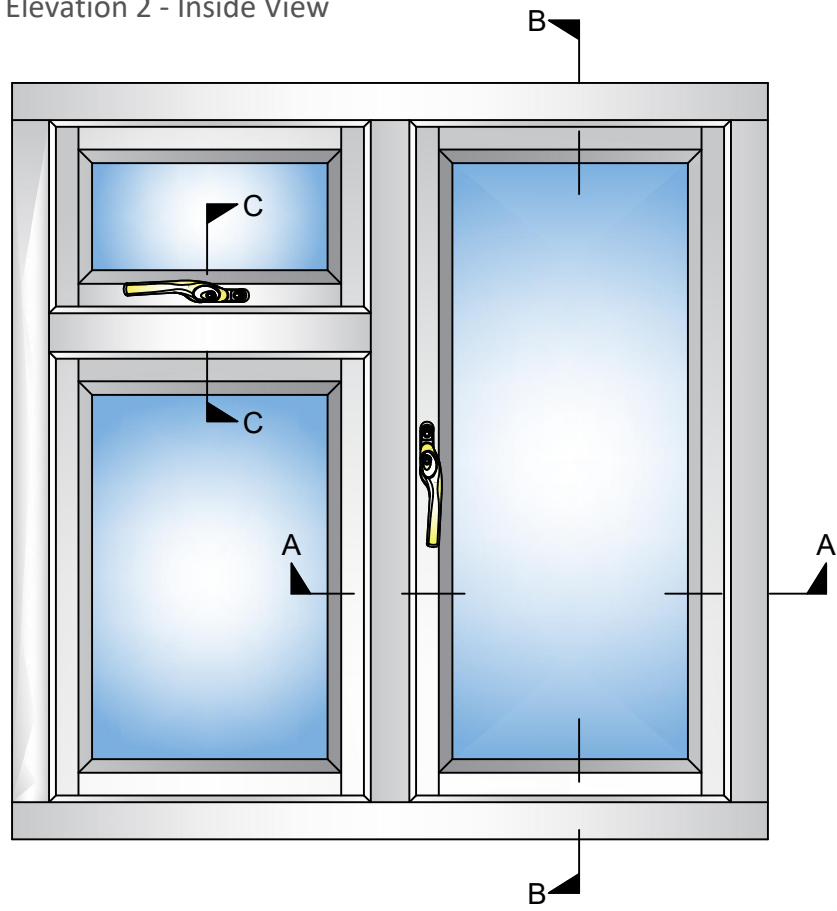
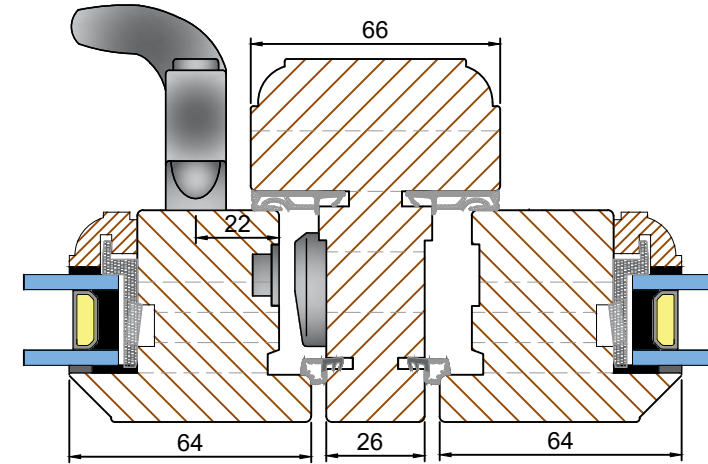
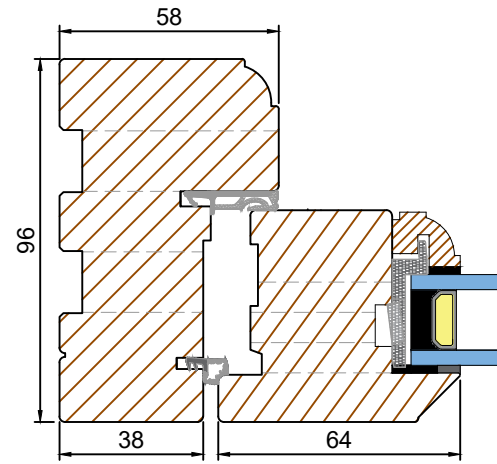


Elevation 2 - Inside View

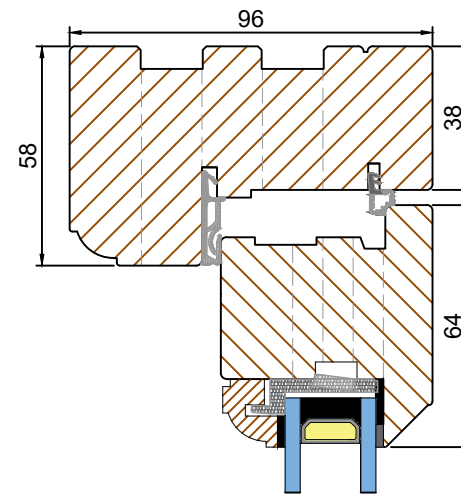


SECTIONS (Scale 1:2)

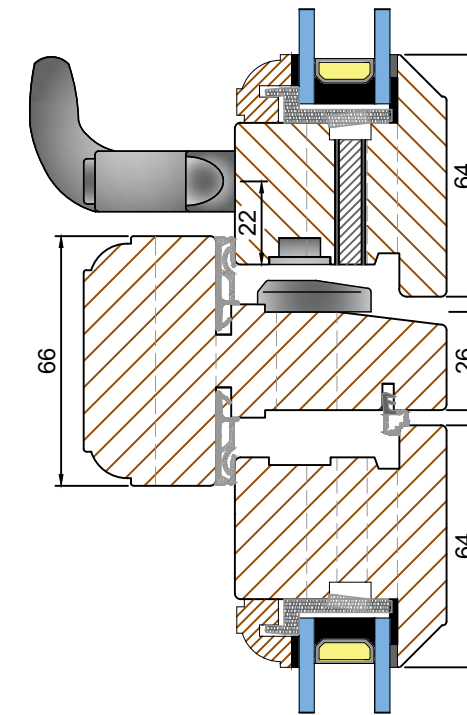
Section A-A - Jamb and mullion



Section B-B - Head and cill

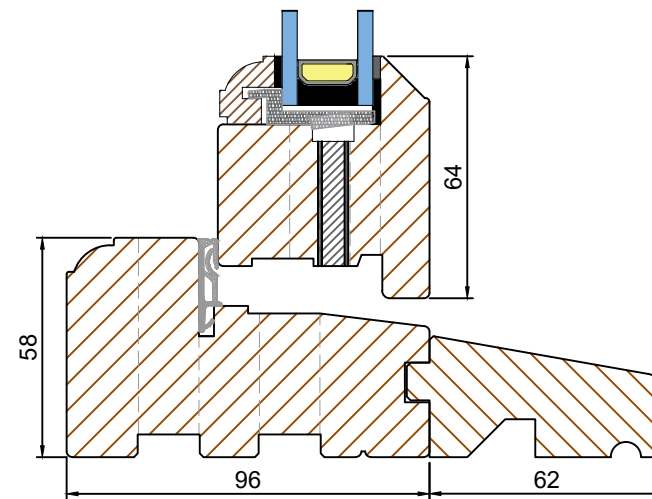
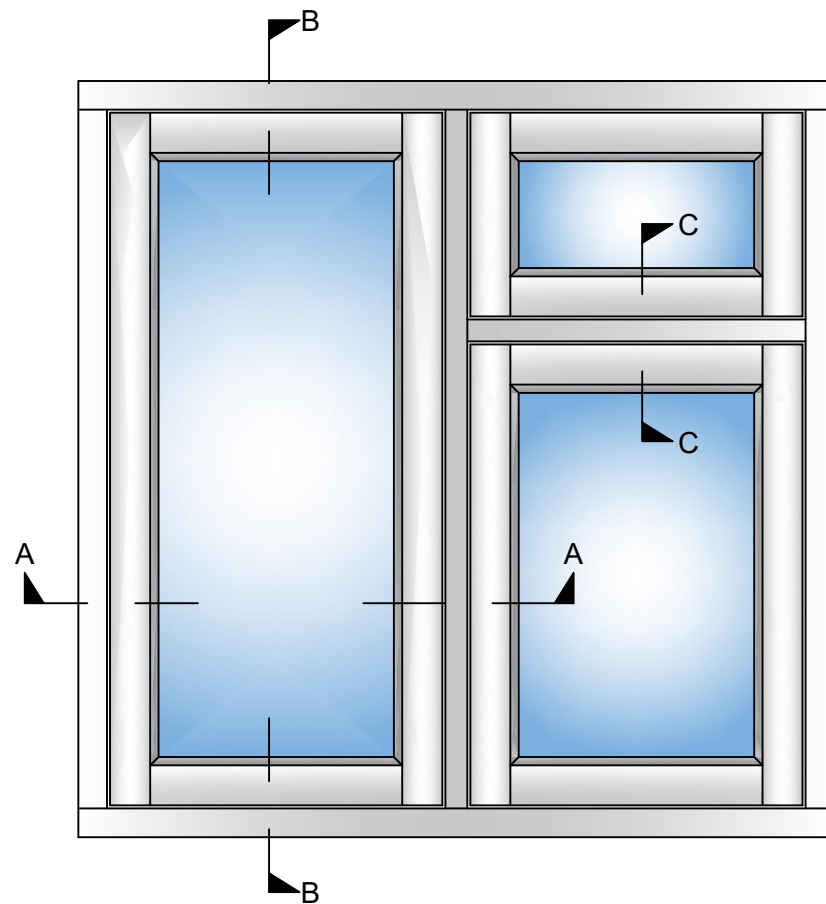


Section C-C - Transome

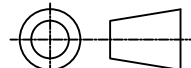


ELEVATIONS (Scale 1:10)

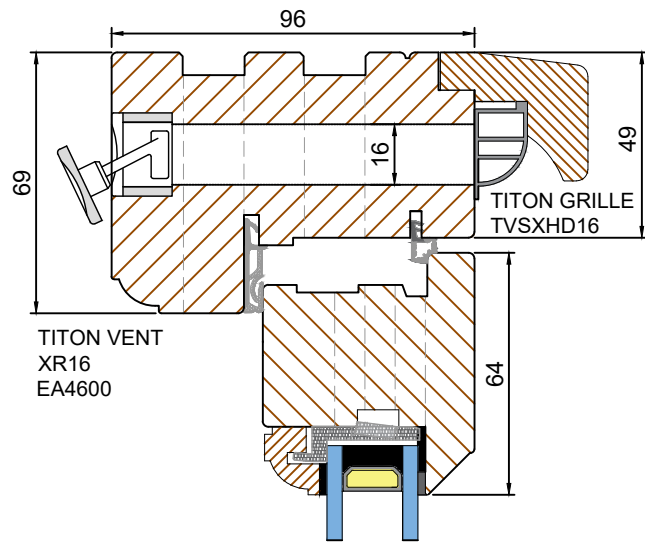
Elevation 1 - Outside View



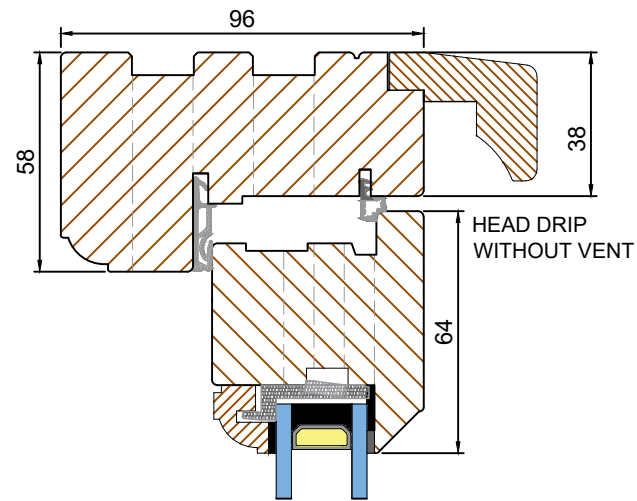
Tolerances: All tolerances are to NINE-ZERO Standard Tolerance definitions (Request technical document for more detail) unless stated on the drawing.
 © NINE-ZERO. All rights reserved. No part of this drawing may be reproduced without the permission of NINE-ZERO.

TOLERANCES UNLESS OTHERWISE SPECIFIED ALL DIMENSIONS IN MM ALL LINEAR DIMENSIONS ±0.4 ALL ANGLE DIMENSIONS ±0.5° BREAK ALL SHARP EDGES 0.5		UNIT 9 CHANCERY GATE BUSINESS CENTRE RED LION ROAD, SURBITON KT6 7RA Tel: 0208 397 8636 EMAIL: HELLO@NINE-ZERO.CO.UK WEB: https://www.nine-zero.co.uk		CASEMENT WINDOW 24mm GLAZING	
THIRD ANGLE PROJECTION 		TITLE TRADITIONAL RANGE DOCUMENT Q COMPLIANT		SCALE N/A	
DRAWN BY: OTD DATE DRAWN: 28JUN21		DRAWING No: NZ-01-01		REV: B	

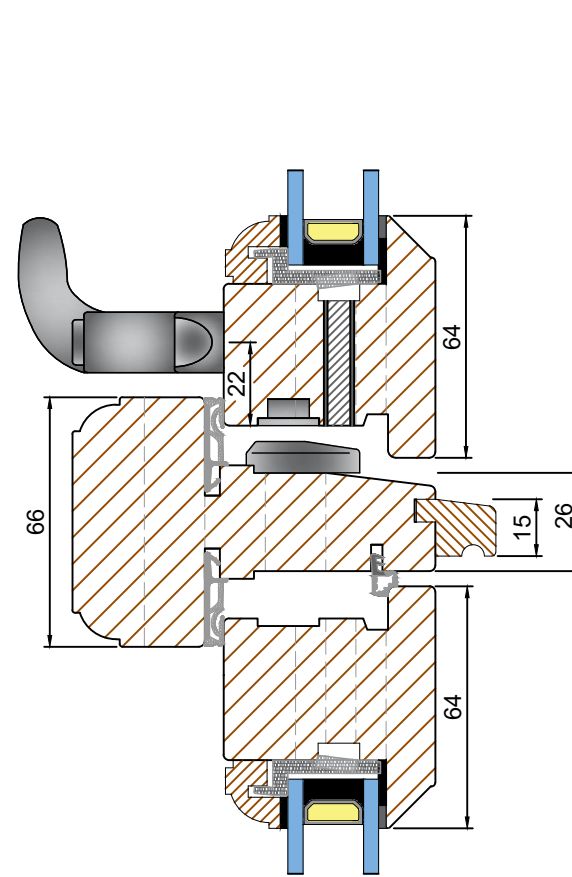
TRICKLE VENT WITH HEAD DRIP (Scale 1:2)



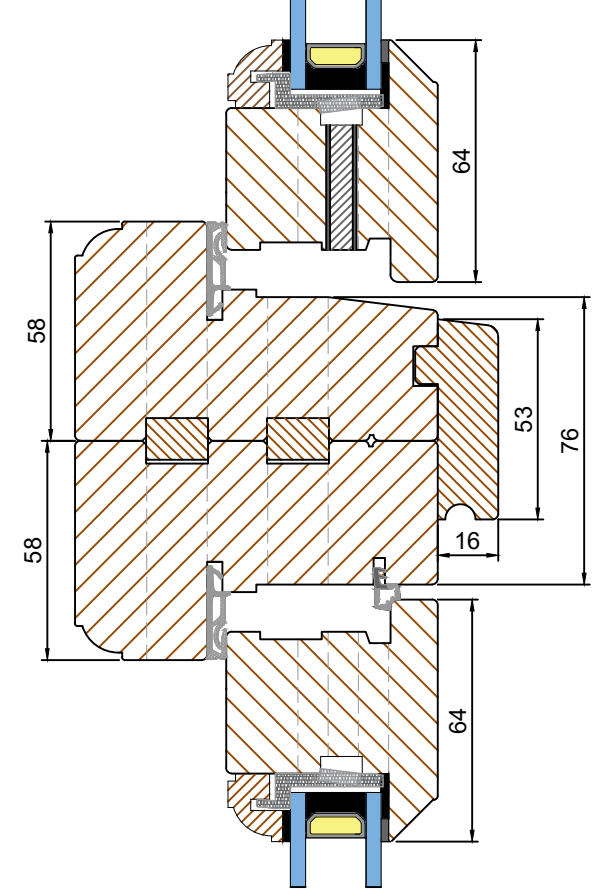
FRAME HEAD DRIP (Scale 1:2)



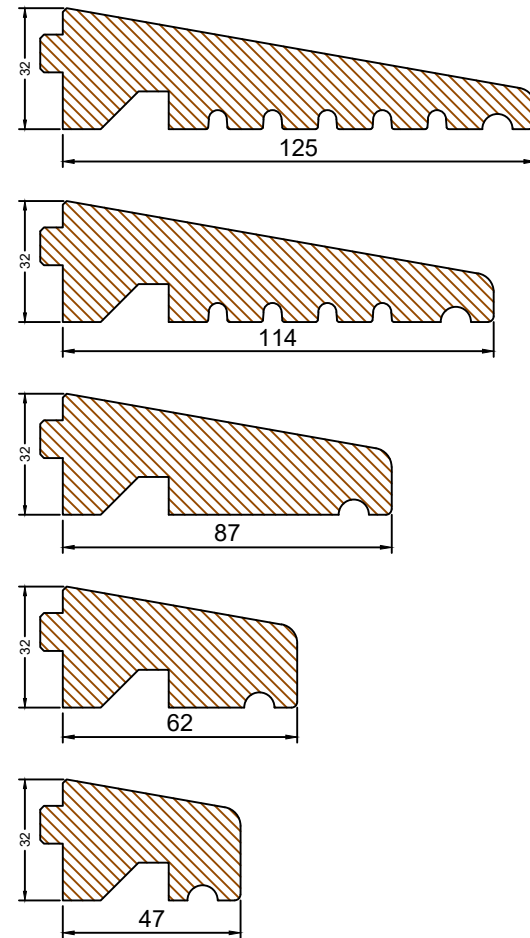
TRANSOM DRIP (Scale 1:2)



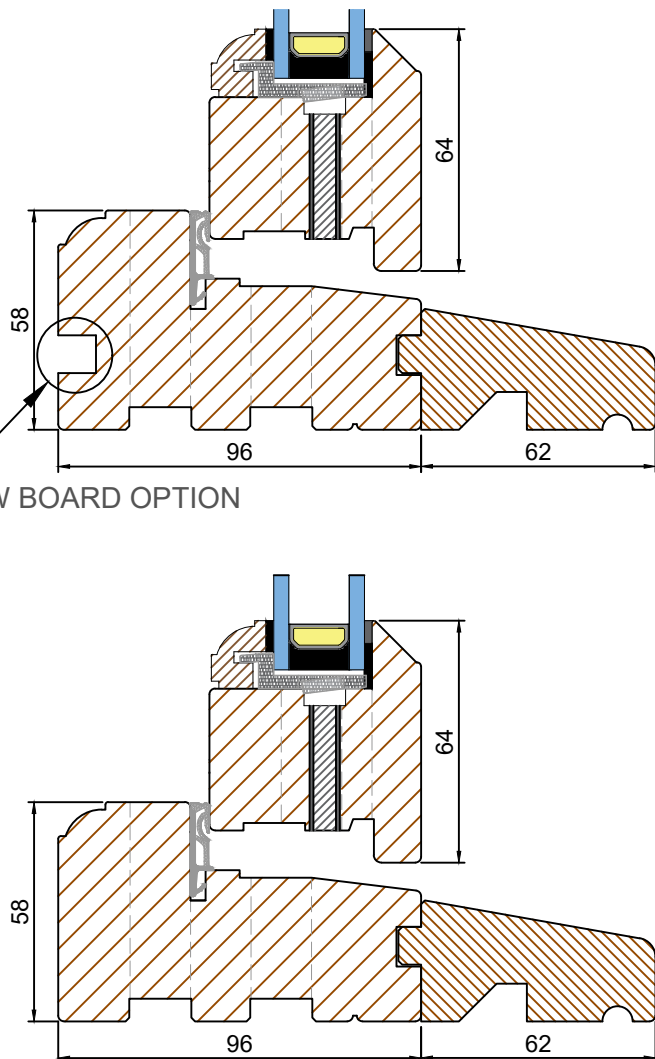
HEAD & CILL LINK WITH OVER DRIP (Scale 1:2)



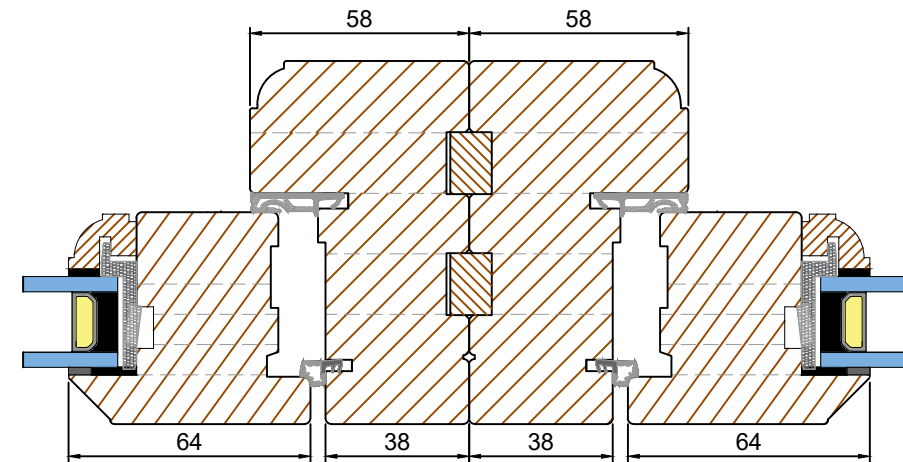
CILL EXTENSION OPTIONS (Scale 1:2)



WINDOW BOARD OPTION



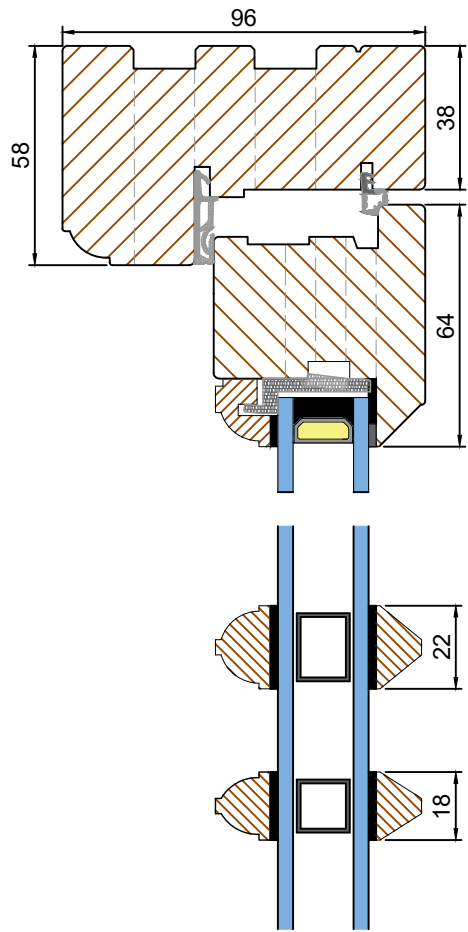
BACK TO BACK JAMB LINK (Scale 1:2)



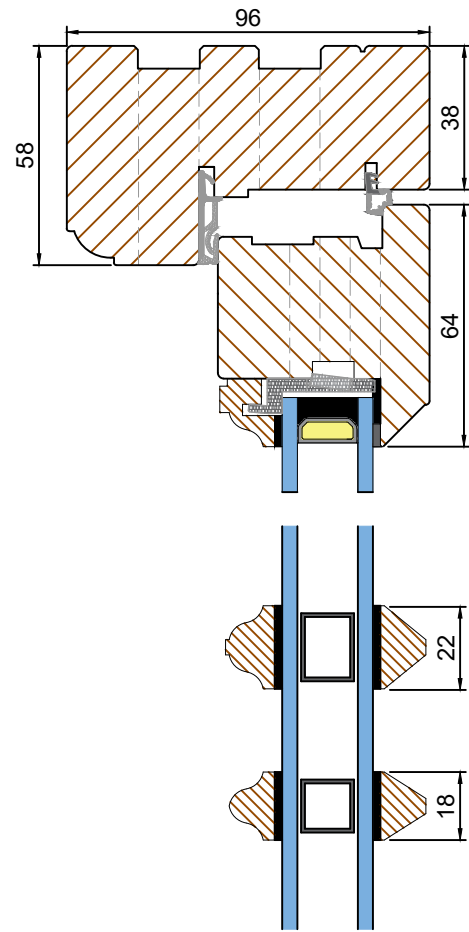
Tolerances: All tolerances are to NINE-ZERO Standard Tolerance definitions (Request technical document for more detail) unless stated on the drawing.
 © NINE-ZERO. All rights reserved. No part of this drawing may be reproduced without the permission of NINE-ZERO.

TOLERANCES UNLESS OTHERWISE SPECIFIED ALL DIMENSIONS IN MM ALL LINEAR DIMENSIONS ±0.4 ALL ANGLE DIMENSIONS ±0.5° BREAK ALL SHARP EDGES 0.5 THIRD ANGLE PROJECTION		UNIT 9 CHANCERY GATE BUSINESS CENTRE RED LION ROAD, SURBITON KT6 7RA Tel: 0208 397 8636 EMAIL: HELLO@NINE-ZERO.CO.UK WEB: https://www.nine-zero.co.uk	CASEMENT WINDOW 24mm GLAZING	SCALE N/A
TITLE TRADITIONAL RANGE EXTENSIONS & DRIPS		DRAWN BY: OTD DATE DRAWN: 28JUN21	DRAWING No: NZ-01-02	REV: B

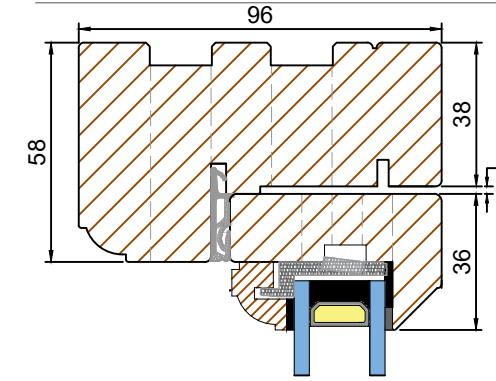
OVOLO BEAD OPTION (Scale 1:2)



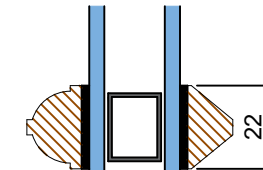
LAMBS TONGUE BEAD OPTION (Scale 1:2)



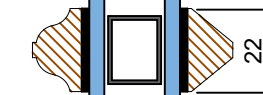
DIRECT GLAZED OPTION (Scale 1:2)



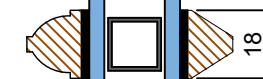
OVOLO BAR



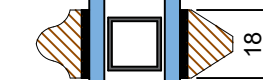
LAMBS TONGUE



OVOLO BAR

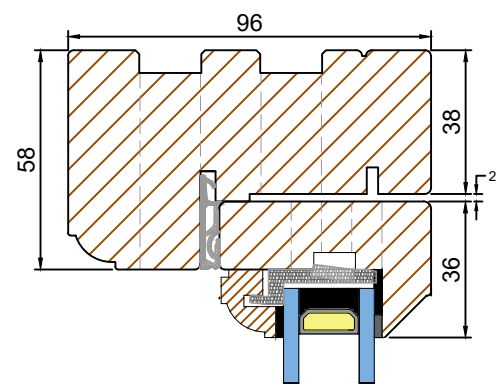


LAMBS TONGUE

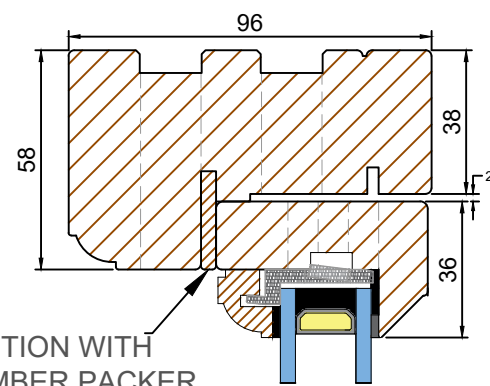


PUTTY BAR

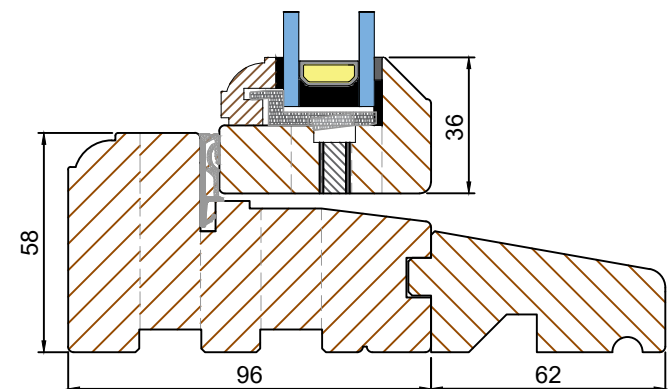
SLIM FIXED SASH OPTION (Scale 1:2)



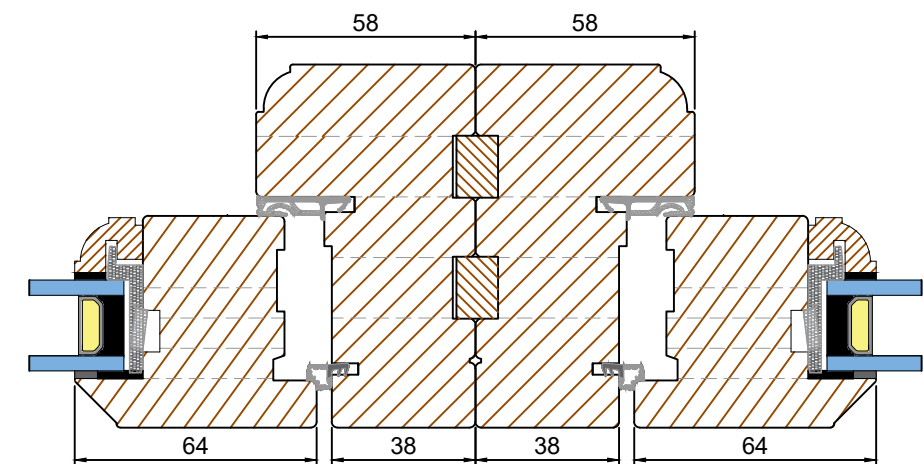
DIRECT GLAZED OPTION (Scale 1:2)



OPTION WITH
TIMBER PACKER



BACK TO BACK JAMB LINK (Scale 1:2)



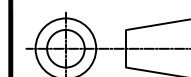
Tolerances: All tolerances are to NINE-ZERO Standard Tolerance definitions (Request technical document for more detail) unless stated on the drawing.
© NINE-ZERO. All rights reserved. No part of this drawing may be reproduced without the permission of NINE-ZERO.

ALL MEASUREMENTS ARE FINISHED DIMENSIONS IN MM. DO NOT SCALE DRAWING!

TOLERANCES
UNLESS OTHERWISE SPECIFIED

ALL DIMENSIONS IN MM
ALL LINEAR DIMENSIONS ± 0.4
ALL ANGLE DIMENSIONS $\pm 0.5^\circ$
BREAK ALL SHARP EDGES 0.5

THIRD ANGLE PROJECTION



NZ
NINEZERO
UNIT 9
CHANCERY GATE BUSINESS CENTRE
RED LION ROAD, SURBITON
KT6 7RA
Tel: 0208 397 8696
EMAIL: HELLO@NINE-ZERO.CO.UK
WEB: https://www.nine-zero.co.uk

CASEMENT WINDOW
24mm GLAZING

TITLE
TRADITIONAL RANGE
DIRECT GLAZED & BEADS/BARS

DRAWN BY: OTD
DATE DRAWN: 28JUN21

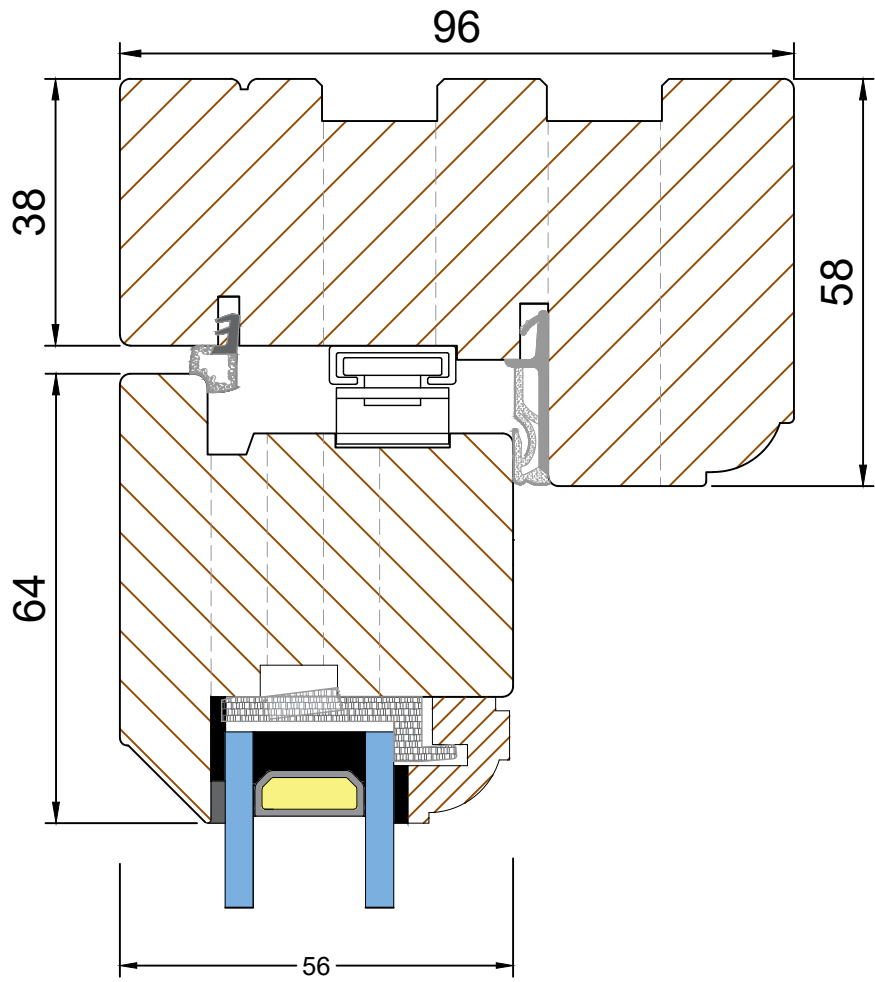
DRAWING No:
NZ-01-03

SCALE
N/A

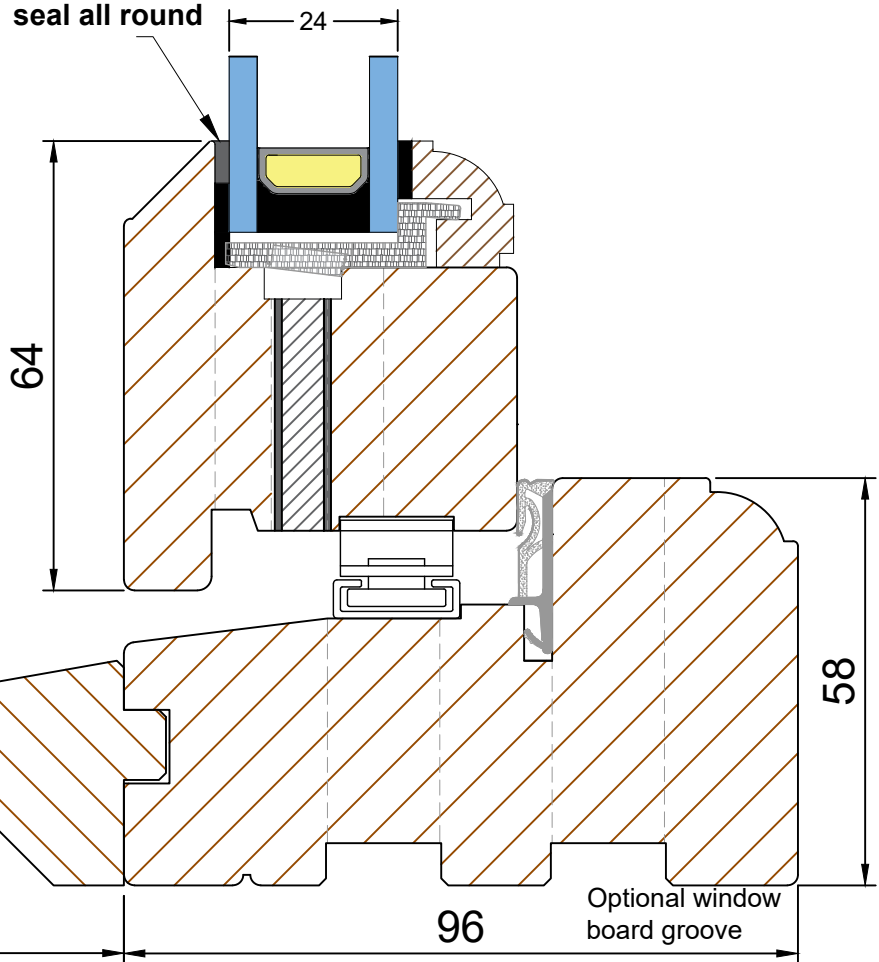
REV:

B

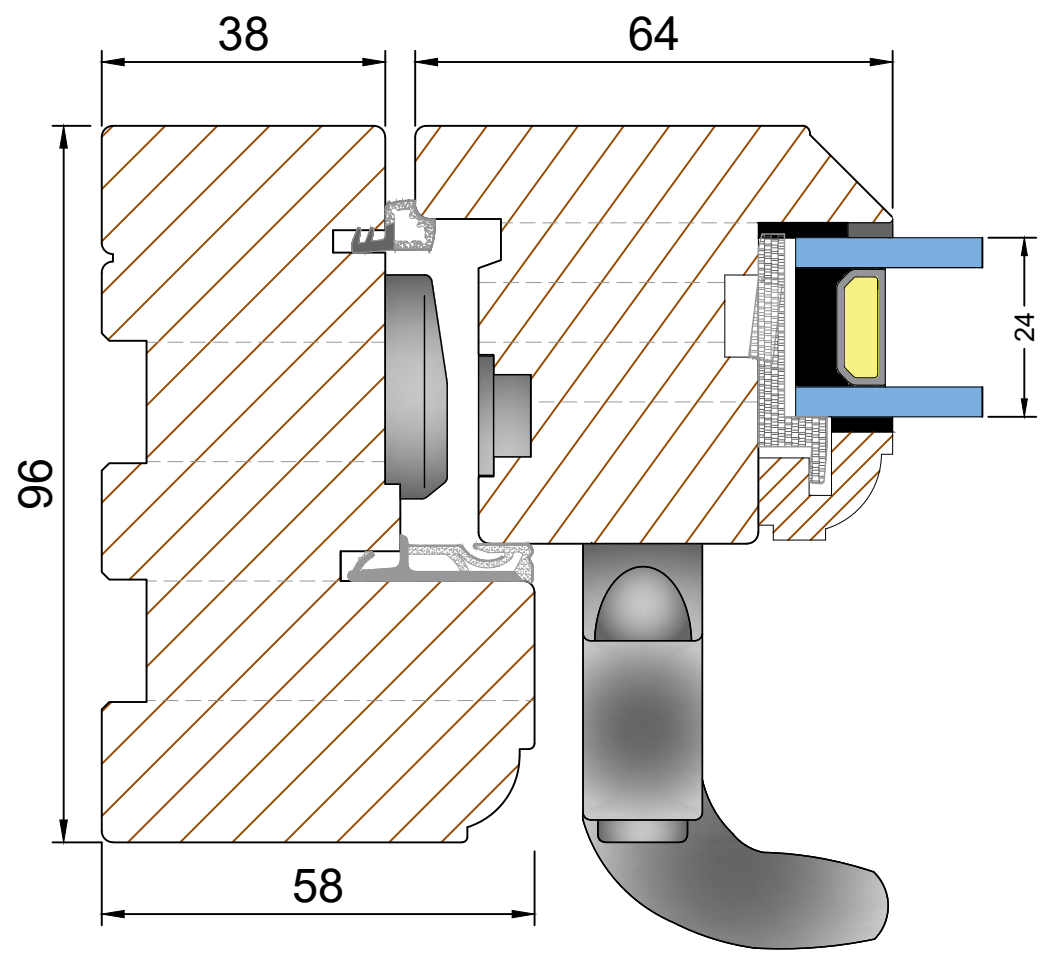
Din A3



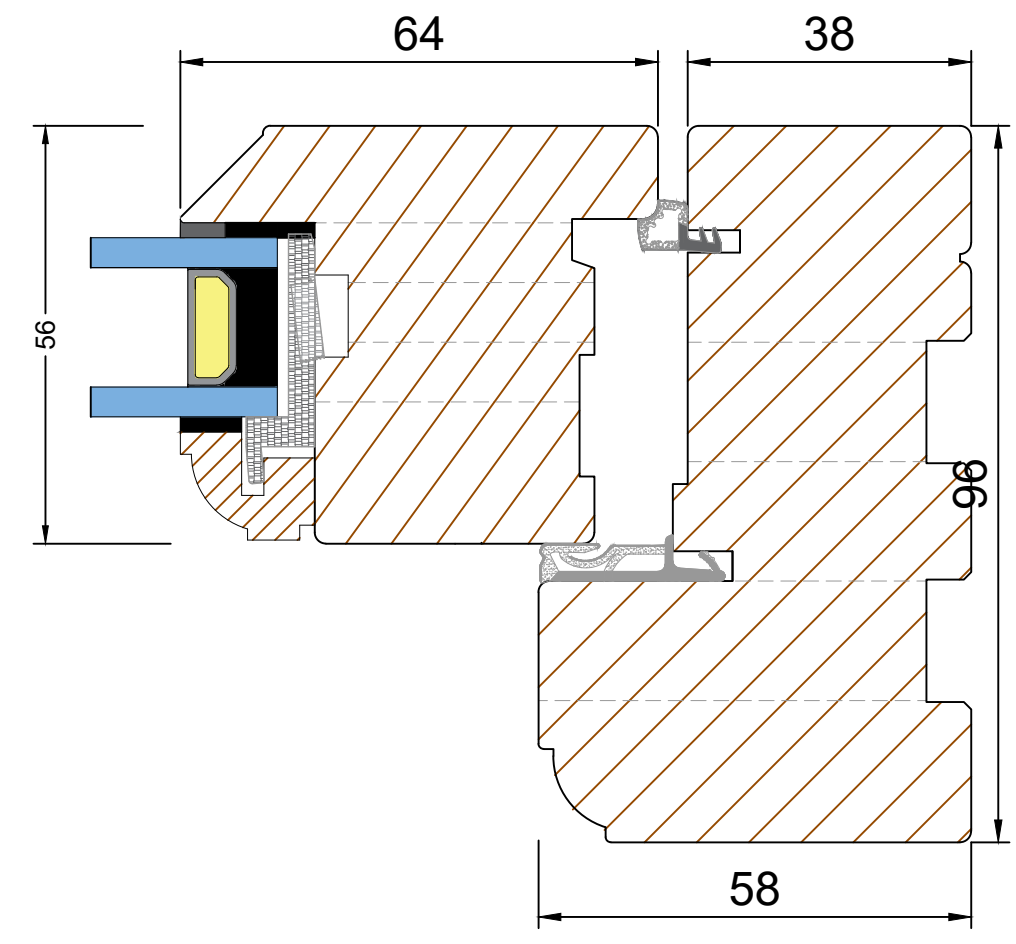
Clear silicone seal all round



**OPTIONAL
CILL EXTENSION
35mm, 62mm, 87mm
114mm & 125mm**



SIDE SWING JAMB + LOCK KEEP



SIDE SWING JAMB + HINGE SIDE

