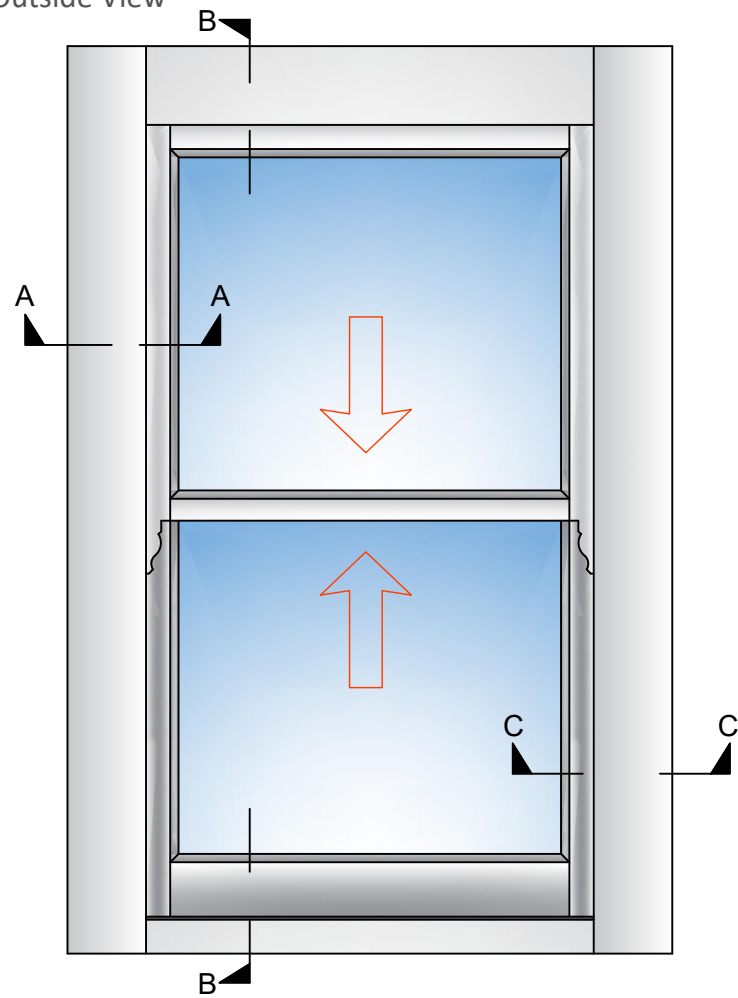
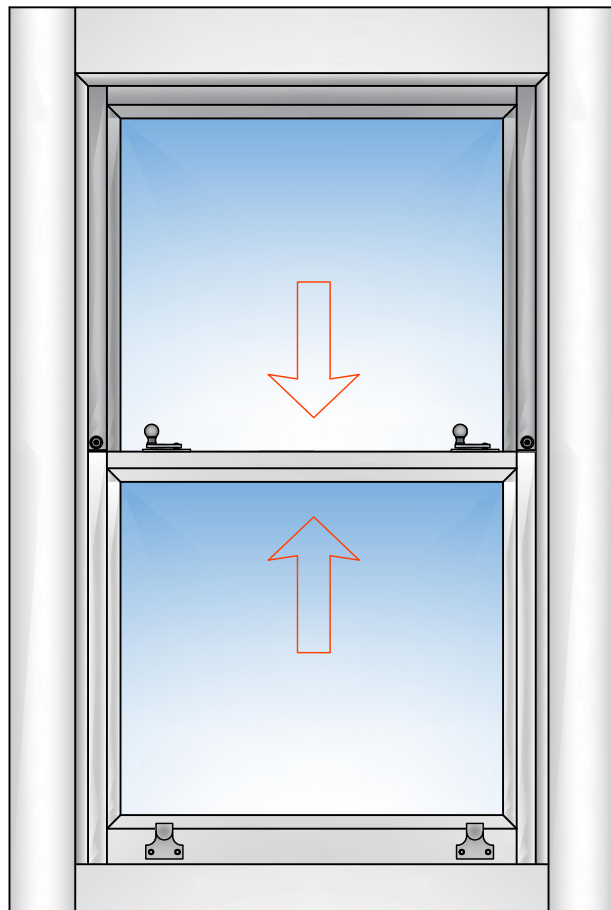


ELEVATIONS (Scale 1:10)

Elevation 1 - Outside View

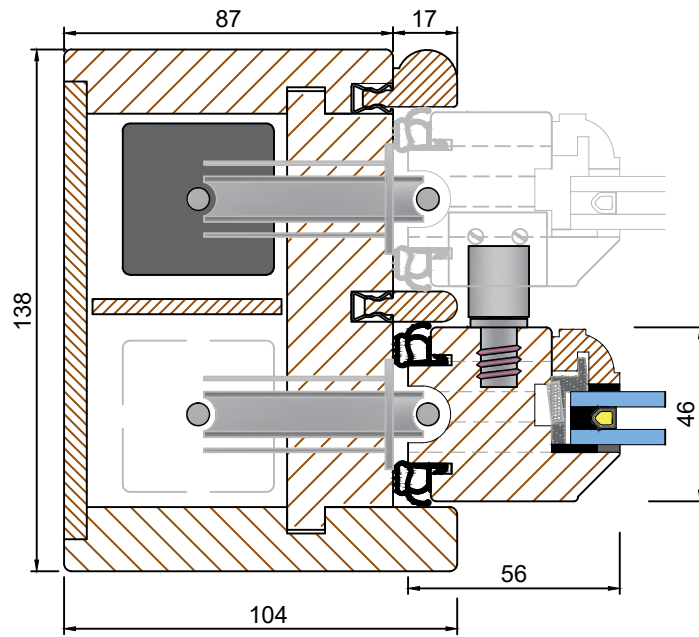


Elevation 2 - Inside View



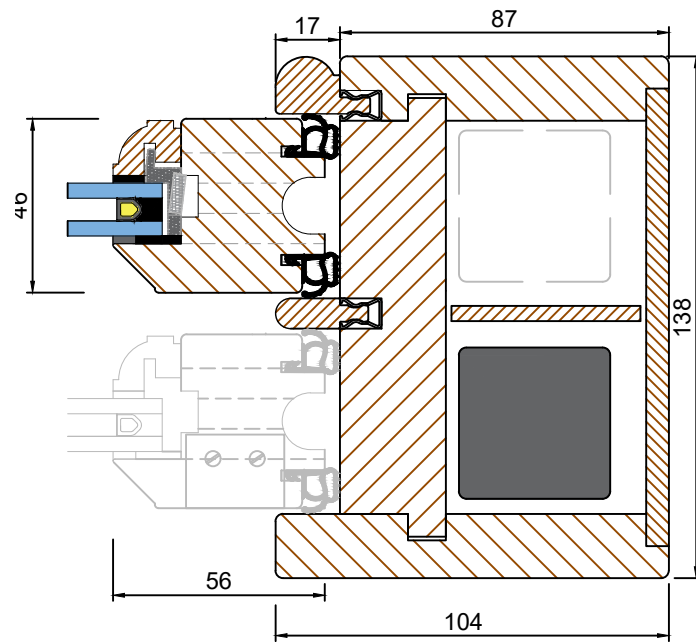
SECTIONS (Scale 1:2)

Section A-A - Top Sash Jamb



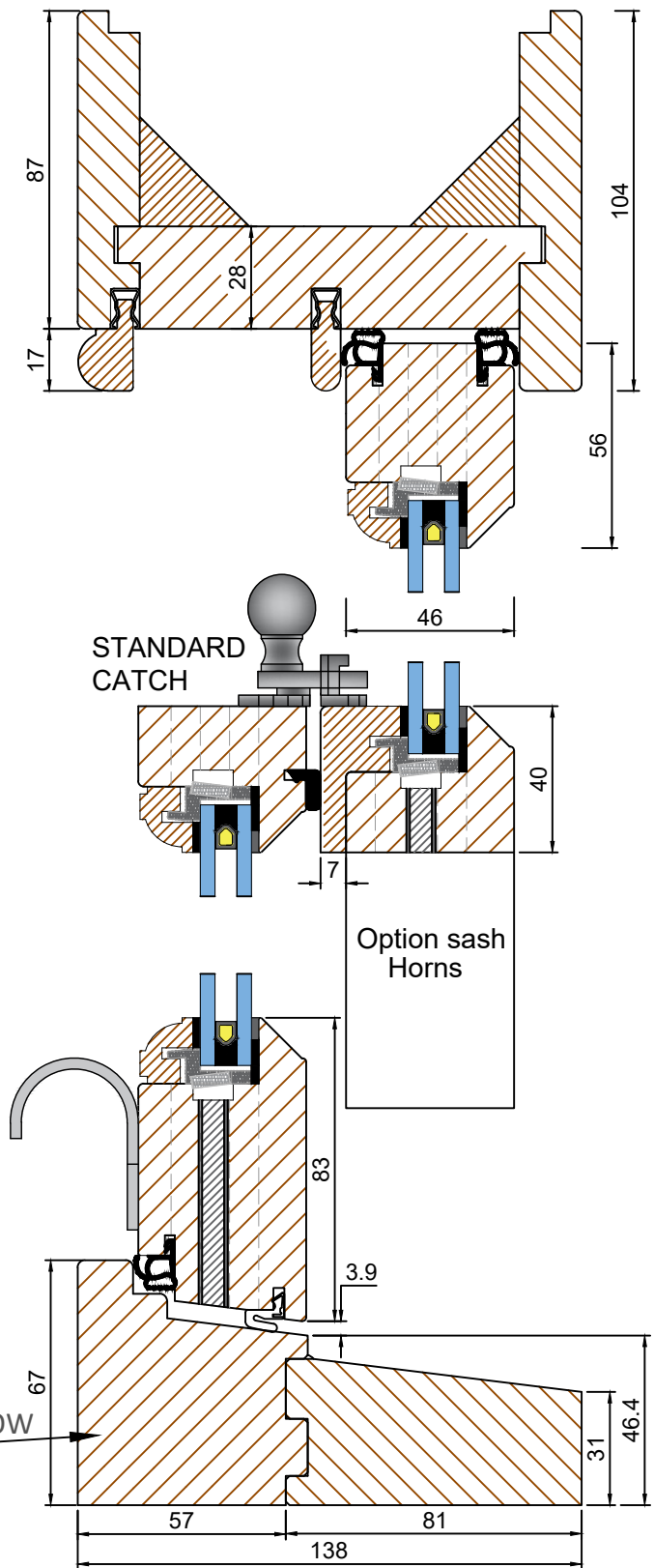
SECTIONS (Scale 1:2)

Section C-C - Bottom Sash Jamb



SECTIONS (Scale 1:2)

Section B-B - Head and cill



<p>TOLERANCES UNLESS OTHERWISE SPECIFIED</p> <p>ALL DIMENSIONS IN MM ALL LINEAR DIMENSIONS ±0.4 ALL ANGLE DIMENSIONS ±0.5° BREAK ALL SHARP EDGES 0.5</p> <p>THIRD ANGLE PROJECTION</p>		<p>NZ NINEZERO</p> <p>UNIT 9 CHANCERY GATE BUSINESS CENTRE RED LION ROAD, SURBITON KT6 7RA Tel: 0208 397 8636 EMAIL: HELLO@NINE-ZERO.CO.UK WEB: https://www.nine-zero.co.uk</p>	<p>BOX SASH WINDOW 14mm GLAZING</p>	<p>SCALE N/A</p>
<p>TITLE TRADITIONAL RANGE SLIM 136mm FRAME</p>		<p>DRAWN BY: OTD DATE DRAWN: 26JUN21</p>	<p>DRAWING No: NZ-04-01</p>	<p>REV: B</p>

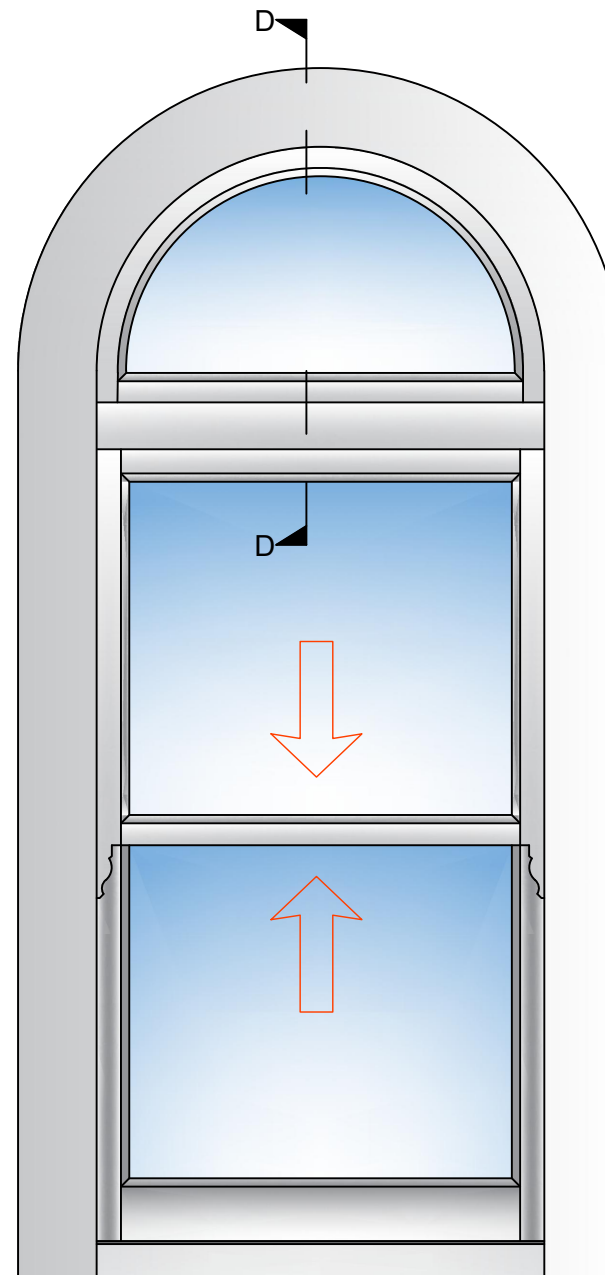
Tolerances: All tolerances are to NINE-ZERO Standard Tolerance definitions (Request technical document for more detail) unless stated on the drawing.

© NINE-ZERO. All rights reserved. No part of this drawing may be reproduced without the permission of NINE-ZERO.

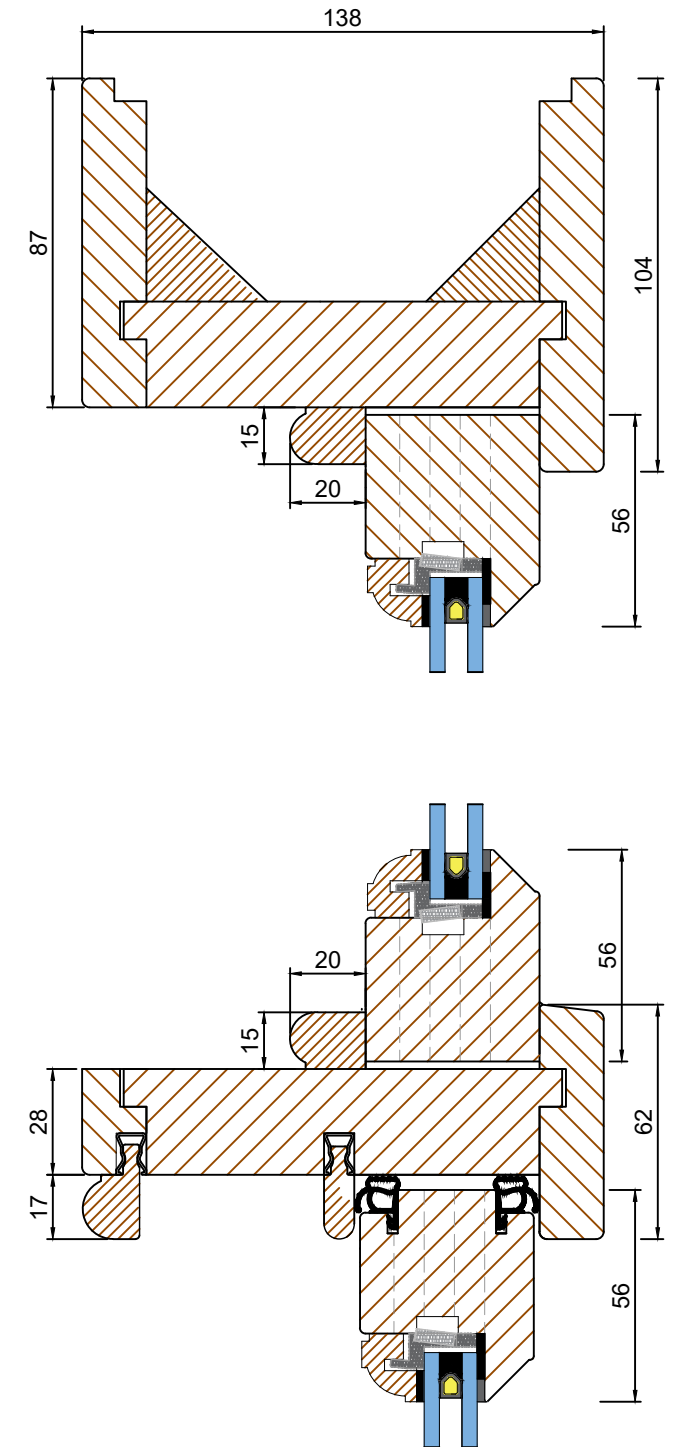
ALL MEASUREMENTS ARE FINISHED DIMENSIONS IN MM. DO NOT SCALE DRAWING!

Din A3

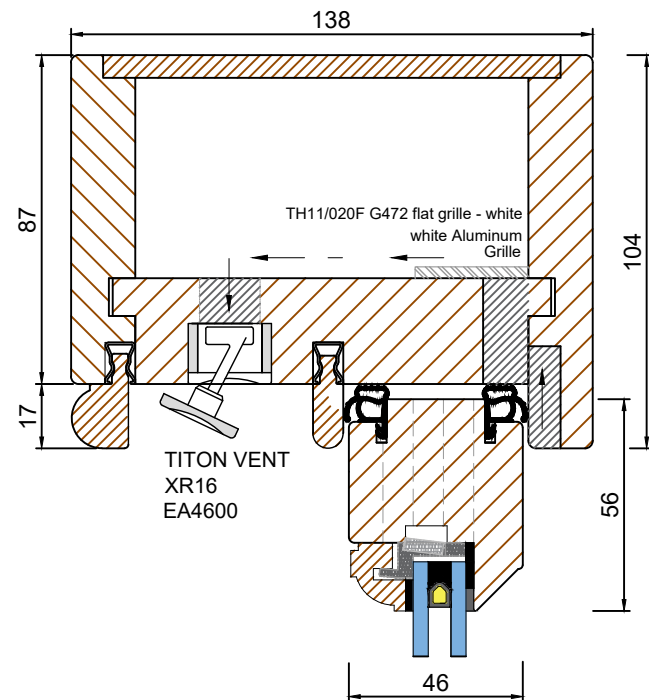
Curved Head Elevation (Scale 1:10)



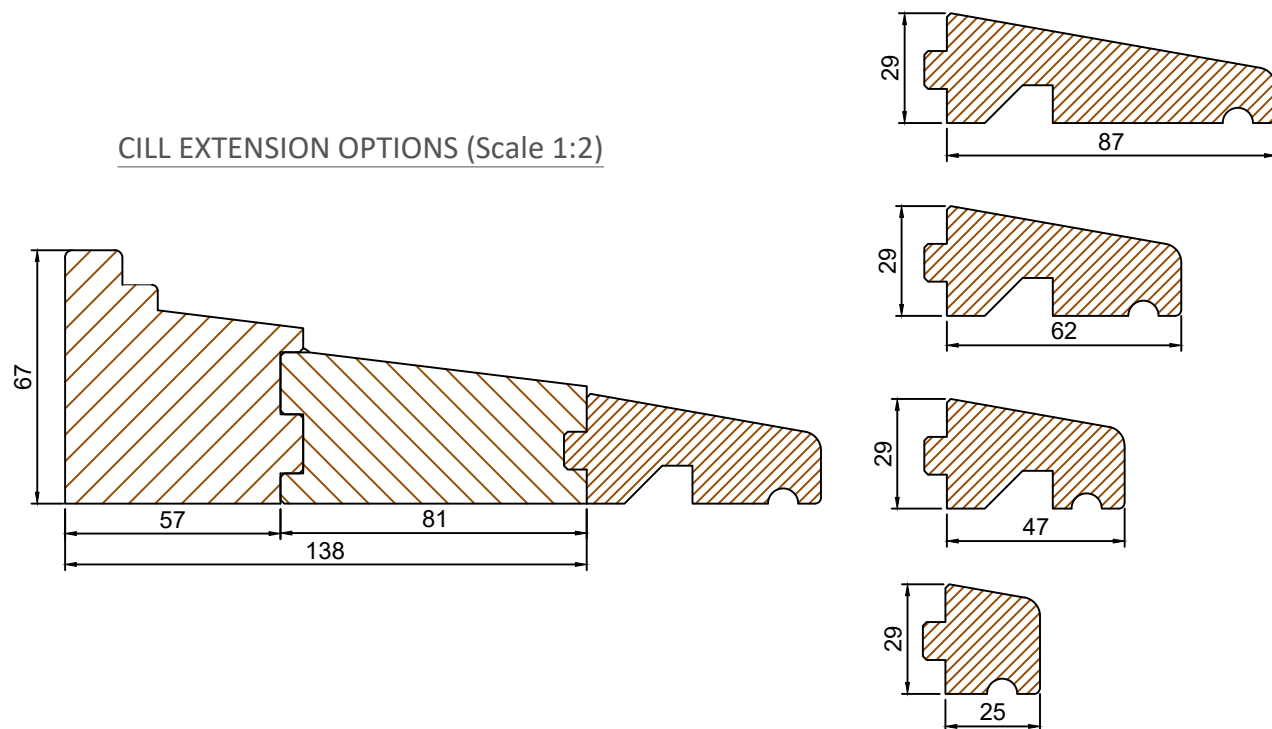
Curved head with fixed sash D-D (Scale 1:2)



TRICKLE VENT CONCEALED (Scale 1:2)



CILL EXTENSION OPTIONS (Scale 1:2)

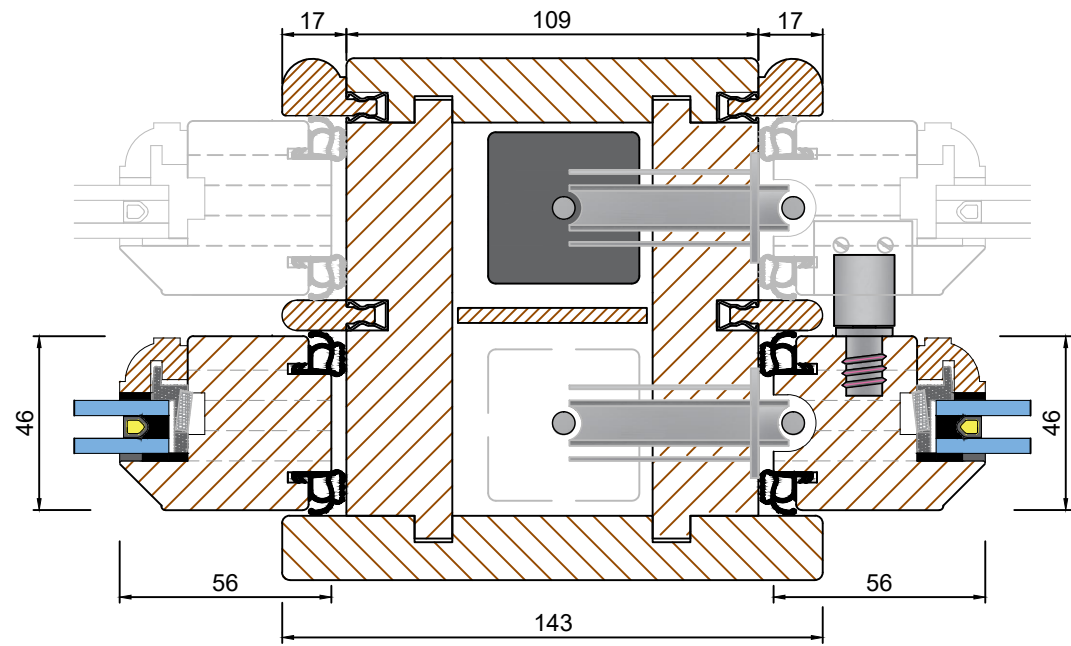


Transom Link D-D (Scale 1:2)

TOLERANCES UNLESS OTHERWISE SPECIFIED			UNIT 9 CHANCERY GATE BUSINESS CENTRE RED LION ROAD, SURBITON KT6 7RA Tel: 0208 397 8636 EMAIL: HELLO@NINE-ZERO.CO.UK WEB: https://www.nine-zero.co.uk	BOX SASH WINDOW 14mm GLAZING	
ALL DIMENSIONS IN MM ALL LINEAR DIMENSIONS ±0.4 ALL ANGLE DIMENSIONS ±0.5° BREAK ALL SHARP EDGES 0.5				TITLE CURVED TRANSOM LINK EXTENSIONS, TRICKLE VENT	
THIRD ANGLE PROJECTION 		DRAWN BY: OTD DATE DRAWN: 01SEP21		DRAWING No: NZ-04-02	
				REV: C	

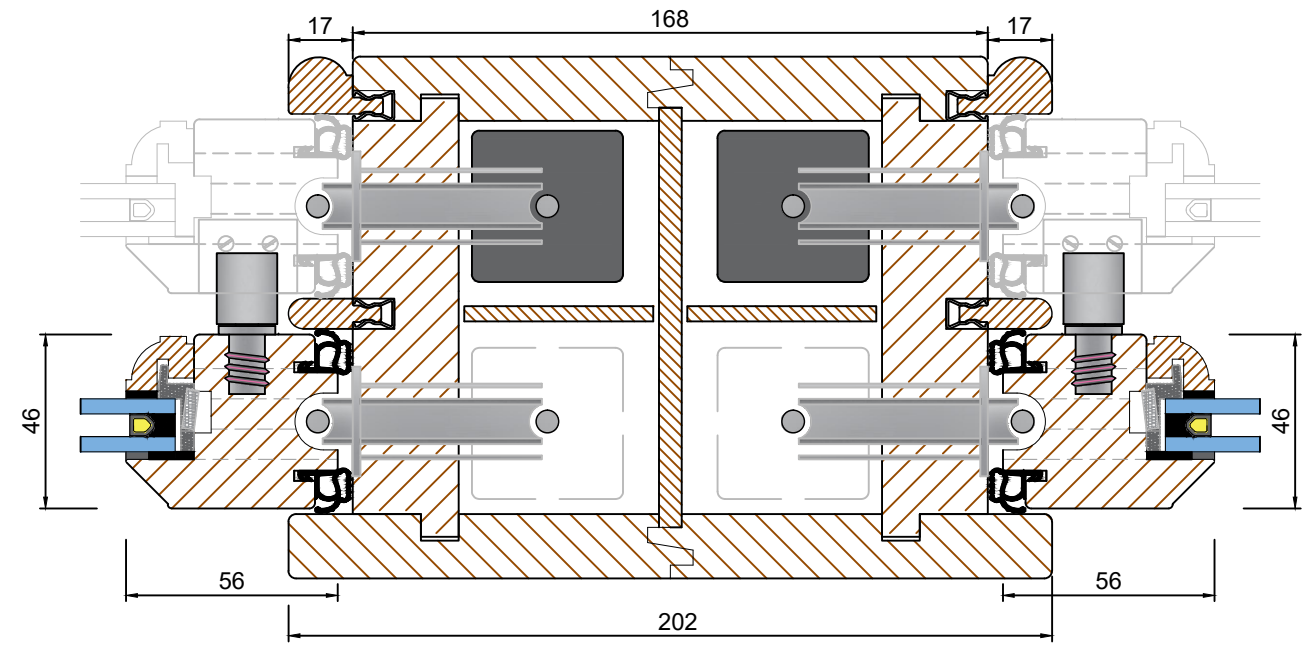
Tolerances: All tolerances are to NINE-ZERO Standard Tolerance definitions (Request technical document for more detail) unless stated on the drawing.
 © NINE-ZERO. All rights reserved. No part of this drawing may be reproduced without the permission of NINE-ZERO.
 ALL MEASUREMENTS ARE FINISHED DIMENSIONS IN MM. DO NOT SCALE DRAWING!

Mullion option A section E-E (Scale 1:2)

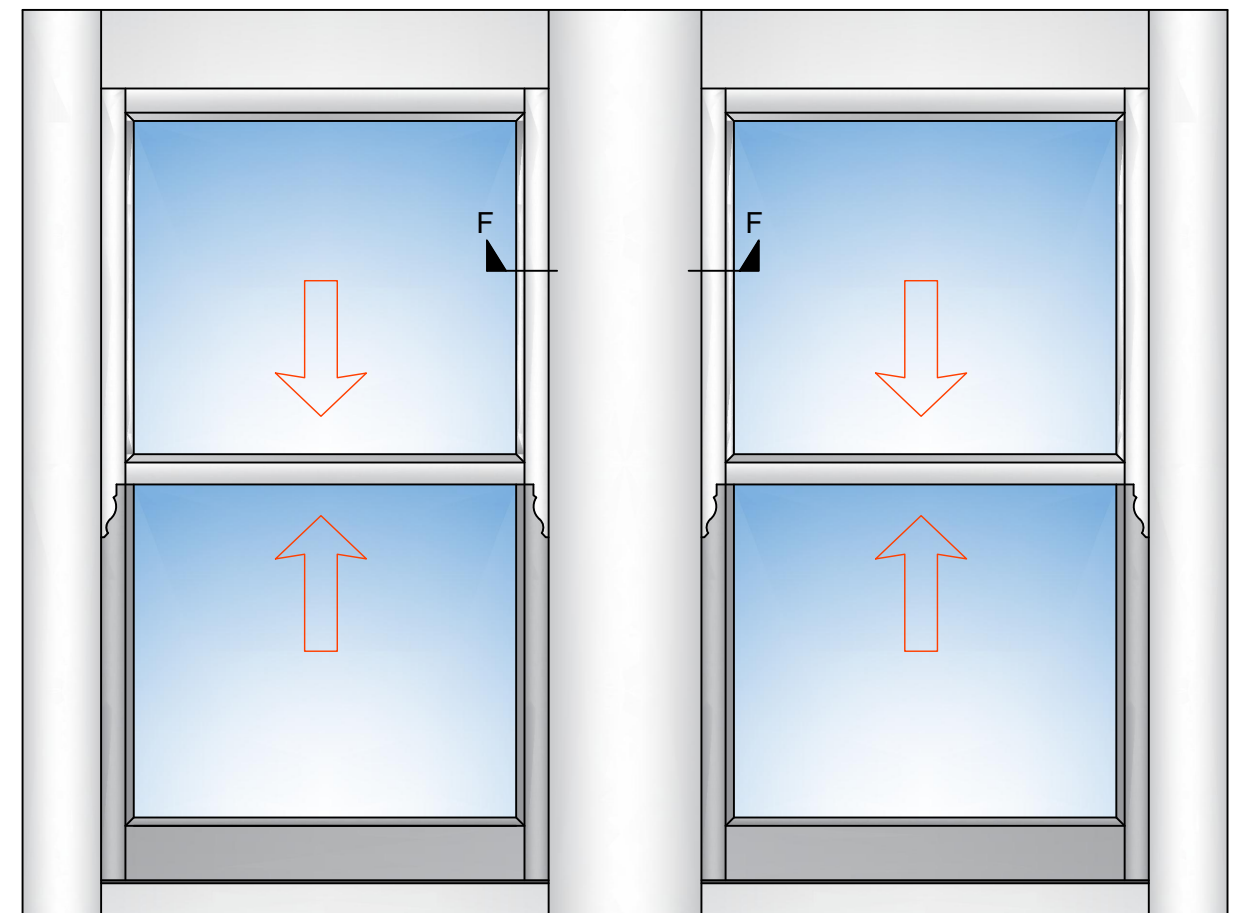
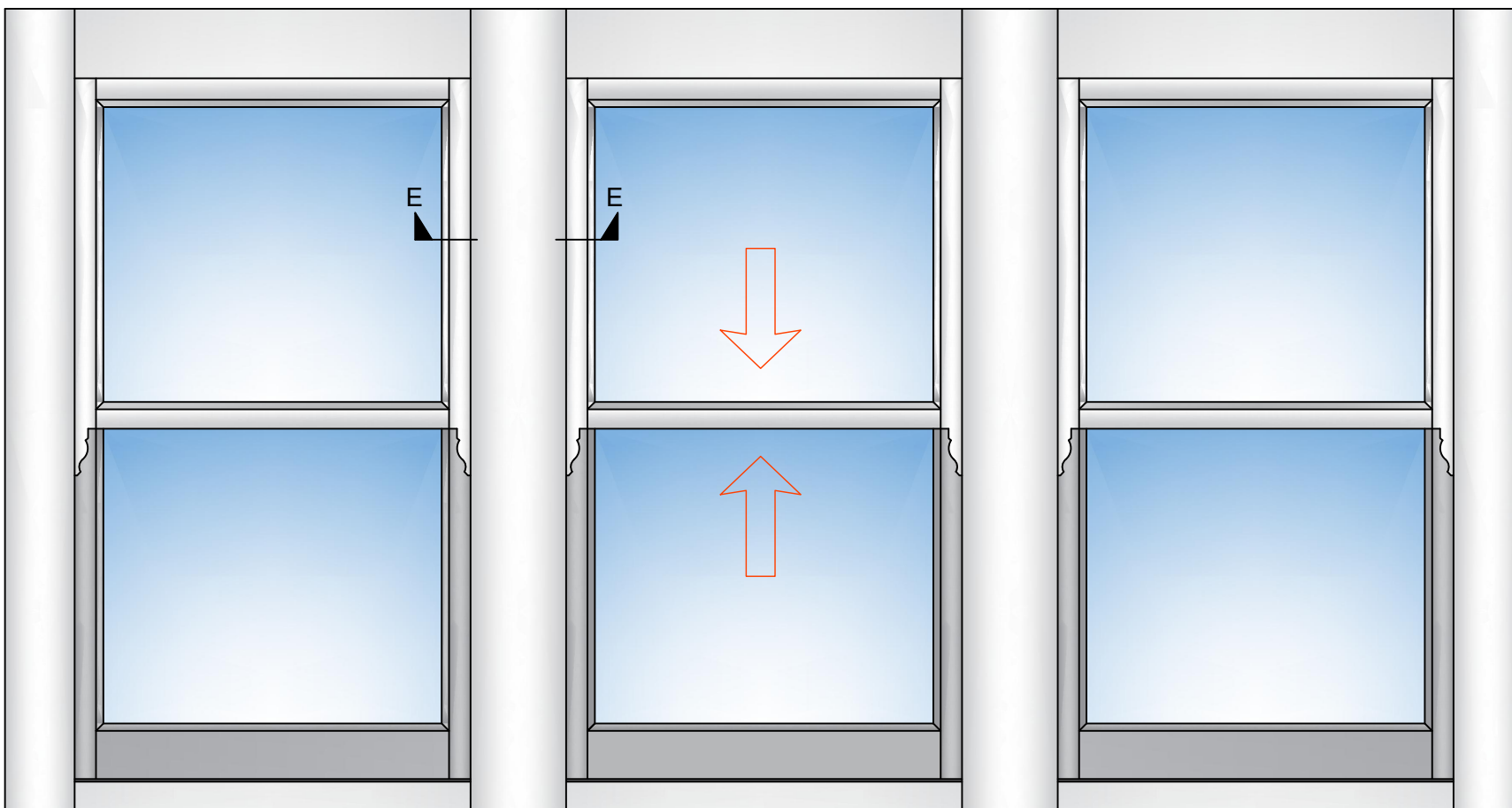


TRIPLE SASH VIEWED EXTERNALLY (Scale 1:10)

Mullion option B section F-F (Scale 1:2)



DOUBLE SASH VIEWED EXTERNALLY (Scale 1:10)

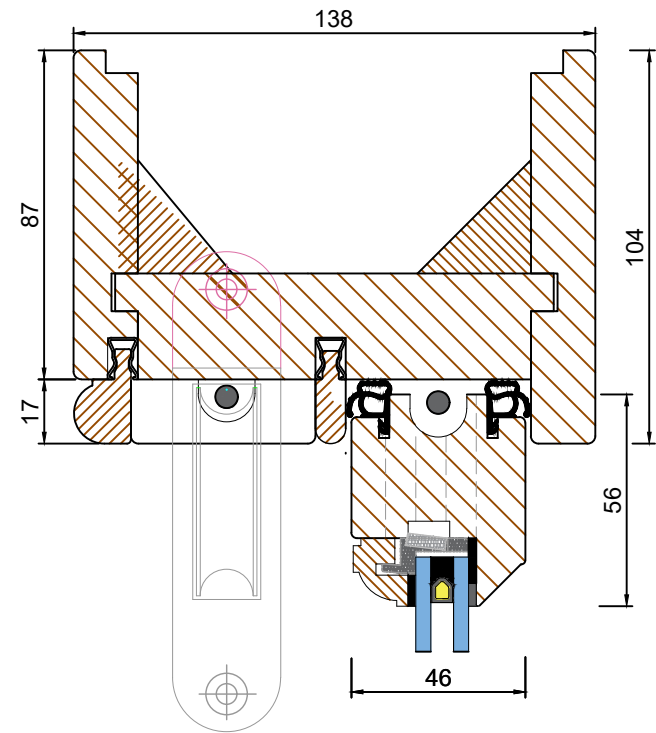


Tolerances: All tolerances are to NINE-ZERO Standard Tolerance definitions (Request technical document for more detail) unless stated on the drawing.
 © NINE-ZERO. All rights reserved. No part of this drawing may be reproduced without the permission of NINE-ZERO.

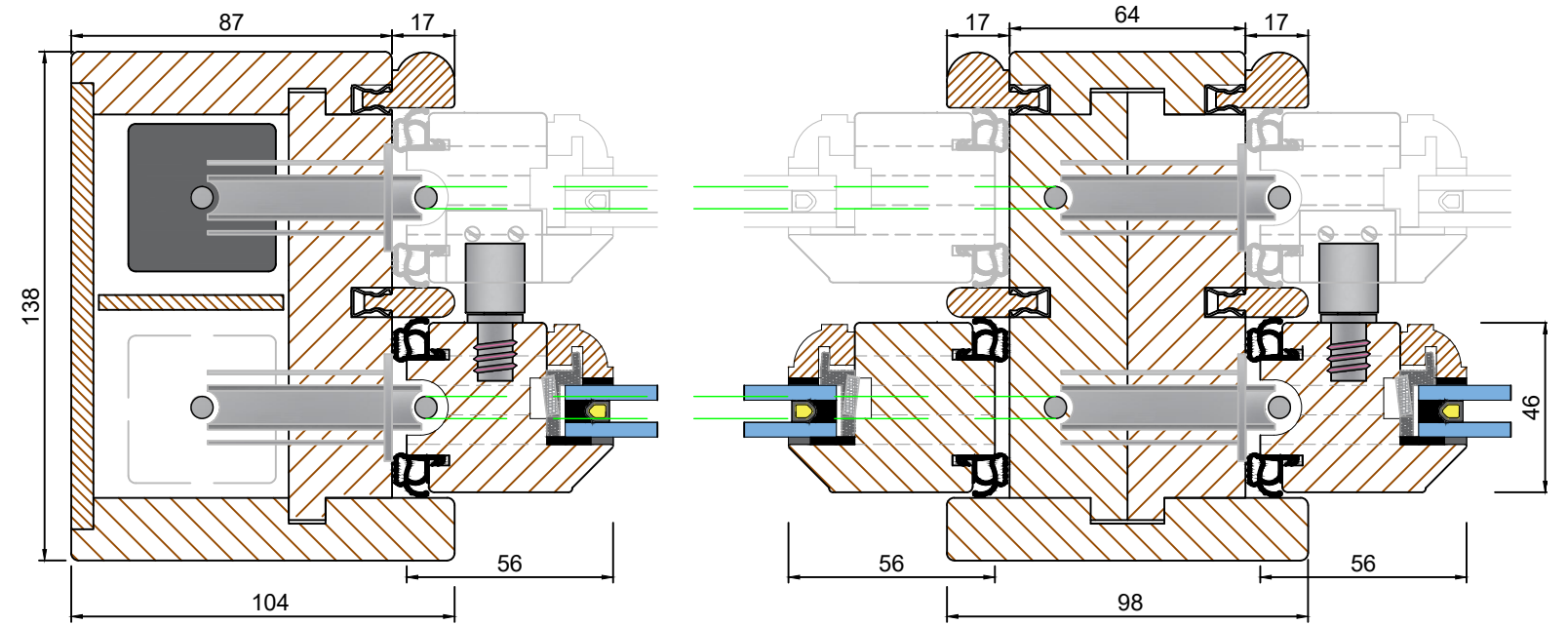
ALL MEASUREMENTS ARE FINISHED DIMENSIONS IN MM. DO NOT SCALE DRAWING!

TOLERANCES UNLESS OTHERWISE SPECIFIED ALL DIMENSIONS IN MM ALL LINEAR DIMENSIONS ±0.4 ALL ANGLE DIMENSIONS ±0.5° BREAK ALL SHARP EDGES 0.5		NZ NINEZERO UNIT 9 CHANCERY GATE BUSINESS CENTRE RED LION ROAD, SURBITON KT6 9RA Tel: 0208 397 8696 EMAIL: HELLO@NINE-ZERO.CO.UK WEB: https://www.nine-zero.co.uk	BOX SASH WINDOW 14mm GLAZING	SCALE N/A
THIRD ANGLE PROJECTION 				TITLE TRADITIONAL RANGE MULLION OPTIONS
DRAWN BY:	OTD	DRAWING No:	NZ-04-03	
DATE DRAWN:	26JUN21			

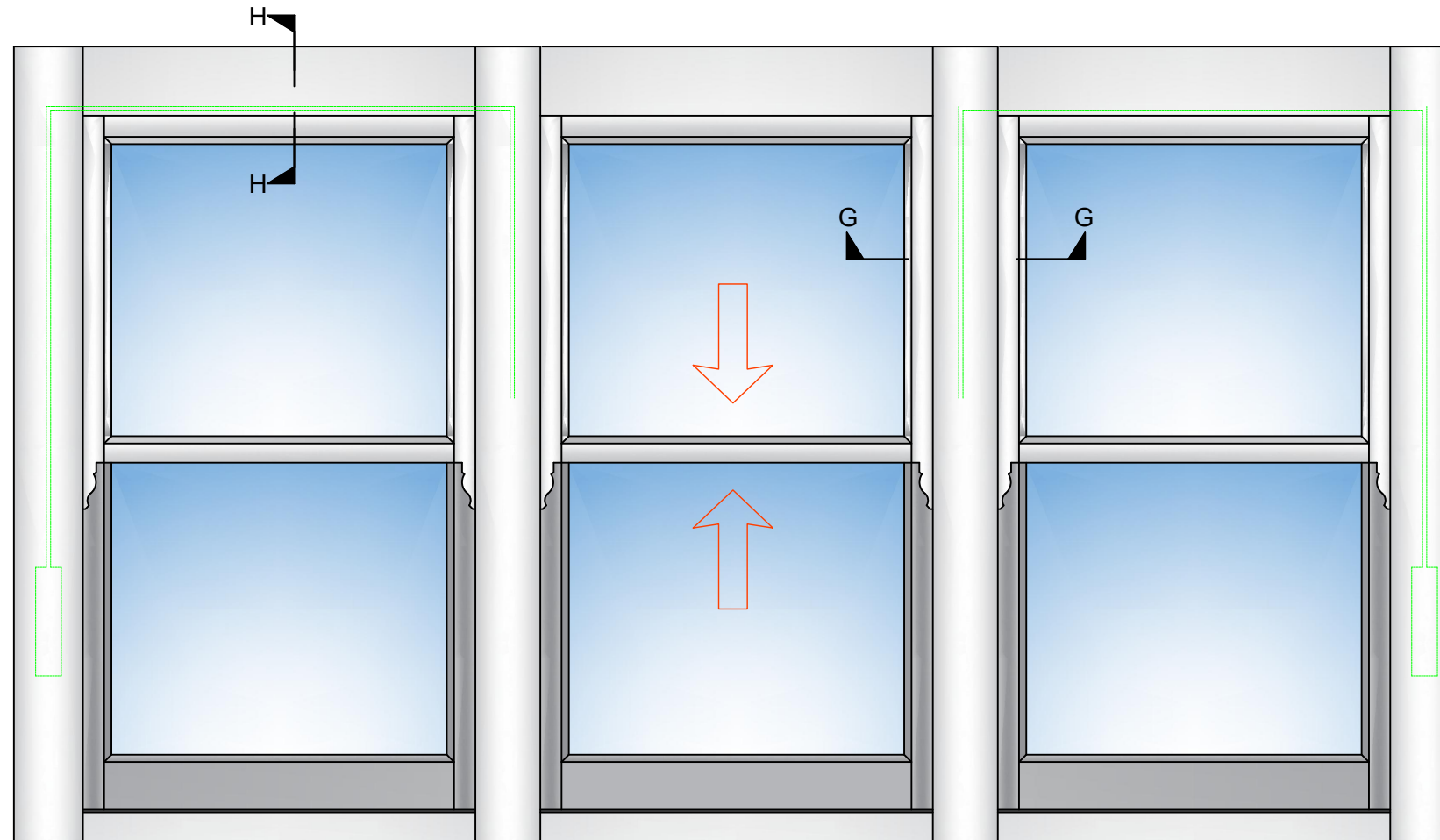
Mullion option C section Through Head H-H (Scale 1:2)



Mullion option C section G-G (Scale 1:2)



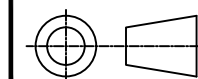
VENETIAN TRIPLE SASH VIEWED EXTERNALLY (Scale 1:10)



TOLERANCES
UNLESS OTHERWISE SPECIFIED

ALL DIMENSIONS IN MM
ALL LINEAR DIMENSIONS ± 0.4
ALL ANGLE DIMENSIONS $\pm 0.5^\circ$
BREAK ALL SHARP EDGES 0.5

THIRD ANGLE PROJECTION



NZ
NINEZERO
UNIT 9
CHANCERY GATE BUSINESS CENTRE
RED LION ROAD, SURBITON
KT6 9RA
Tel: 0208 397 8636
EMAIL: HELLO@NINE-ZERO.CO.UK
WEB: https://www.nine-zero.co.uk

BOX SASH WINDOW
24mm GLAZING

TITLE
TRADITIONAL RANGE
SLIM MULLION OPTIONS

DRAWN BY: OTD
DATE DRAWN: 26JUN21

DRAWING No:
NZ-04-04

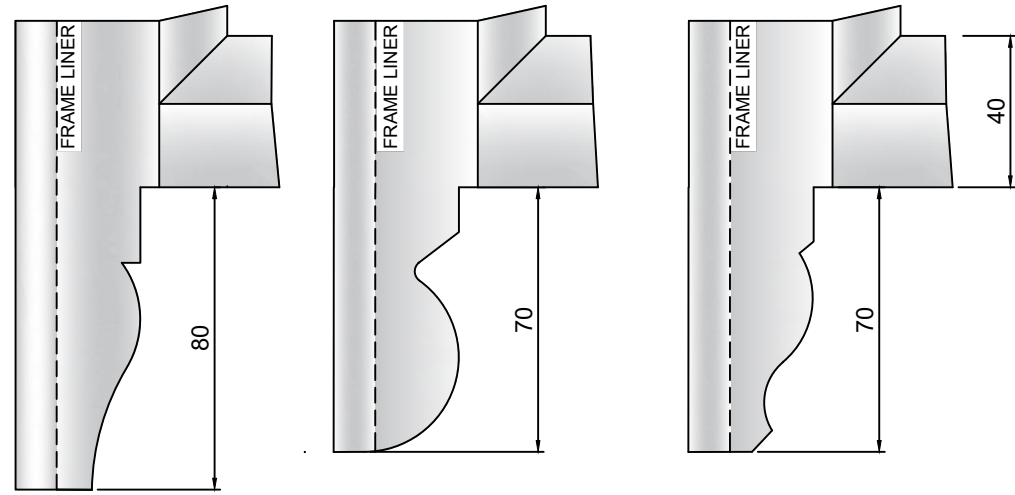
SCALE
N/A

REV:
B

Tolerances: All tolerances are to NINE-ZERO Standard Tolerance definitions (Request technical document for more detail) unless stated on the drawing.
© NINE-ZERO. All rights reserved. No part of this drawing may be reproduced without the permission of NINE-ZERO.

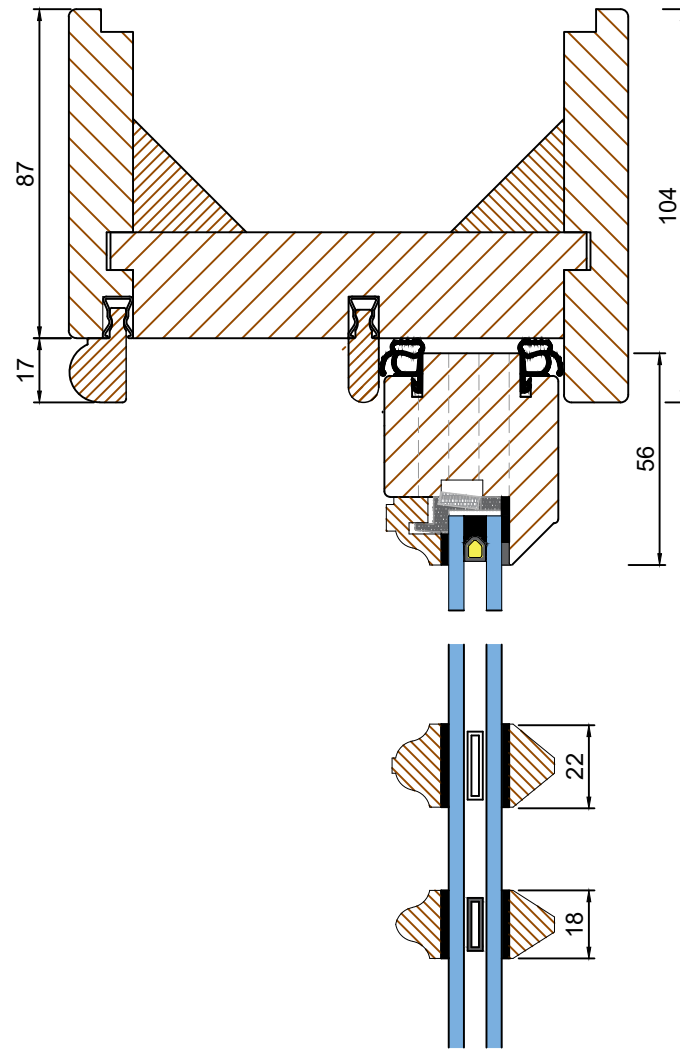
ALL MEASUREMENTS ARE FINISHED DIMENSIONS IN MM. DO NOT SCALE DRAWING!

Din A3

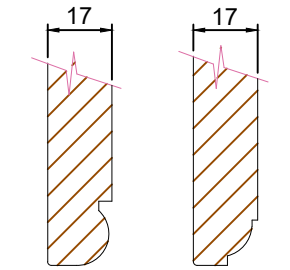
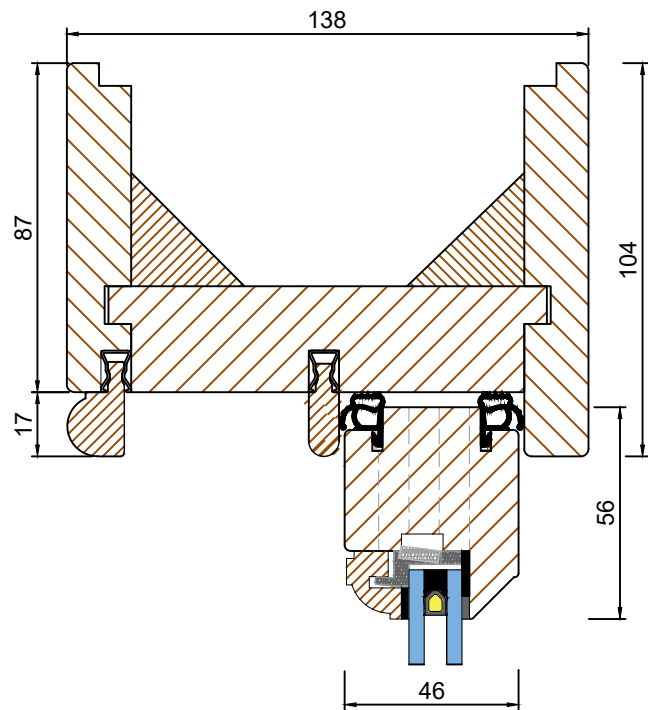
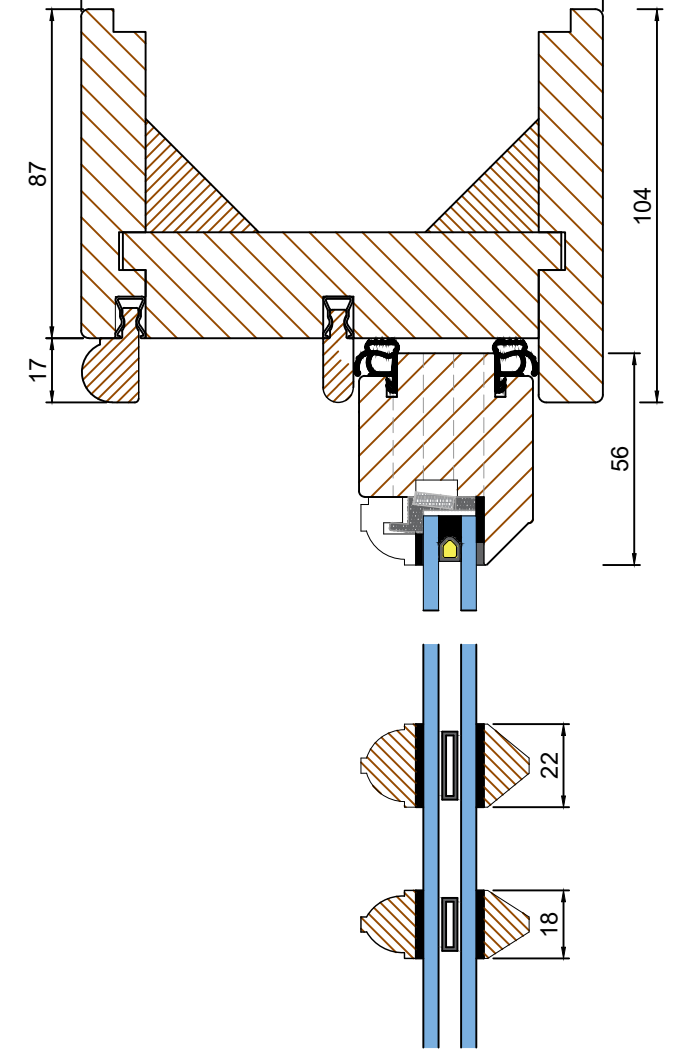


HORN A HORN B HORN C

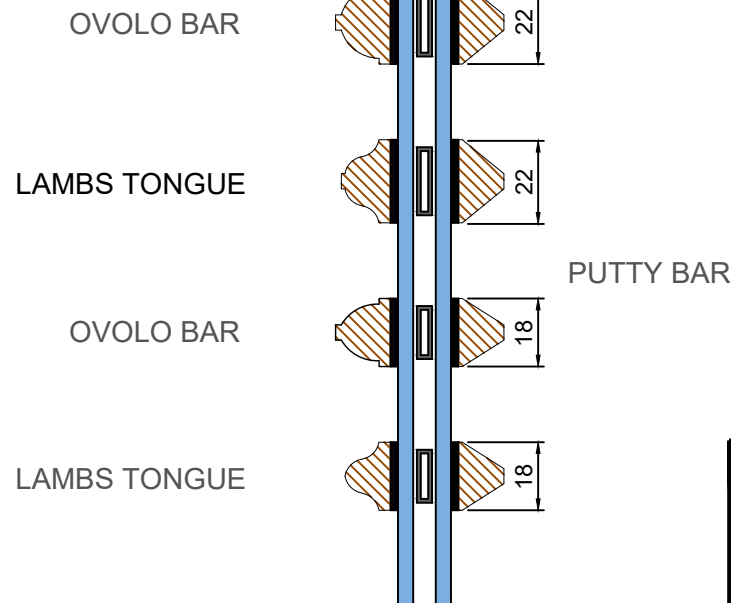
LAMBS TONGUE BEAD OPTION (Scale 1:2)



OVOLO BEAD OPTION (Scale 1:2)



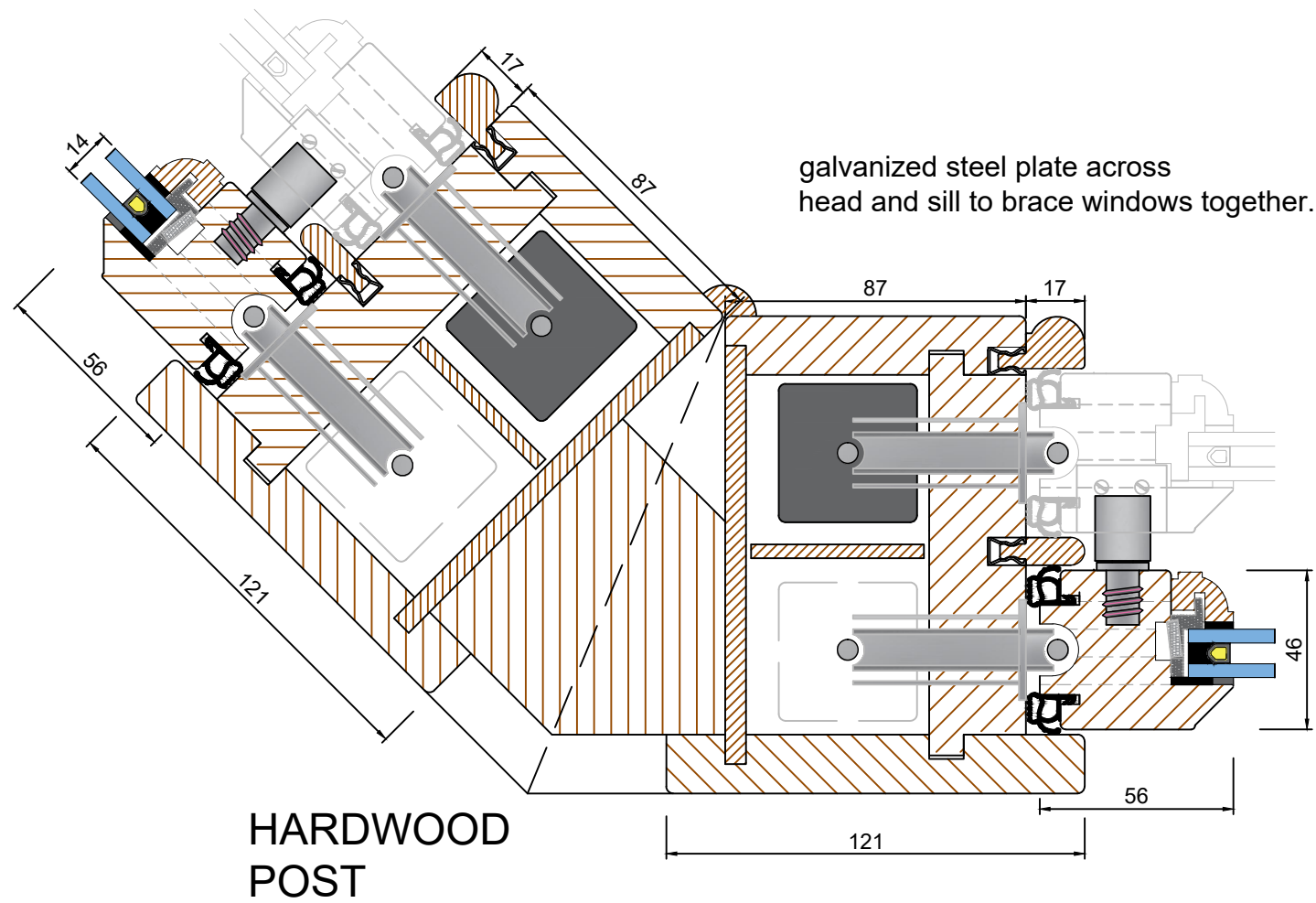
BEADED OVOLO
External Liners can be SQUARE Profile as shown, OVOLO or BEADED



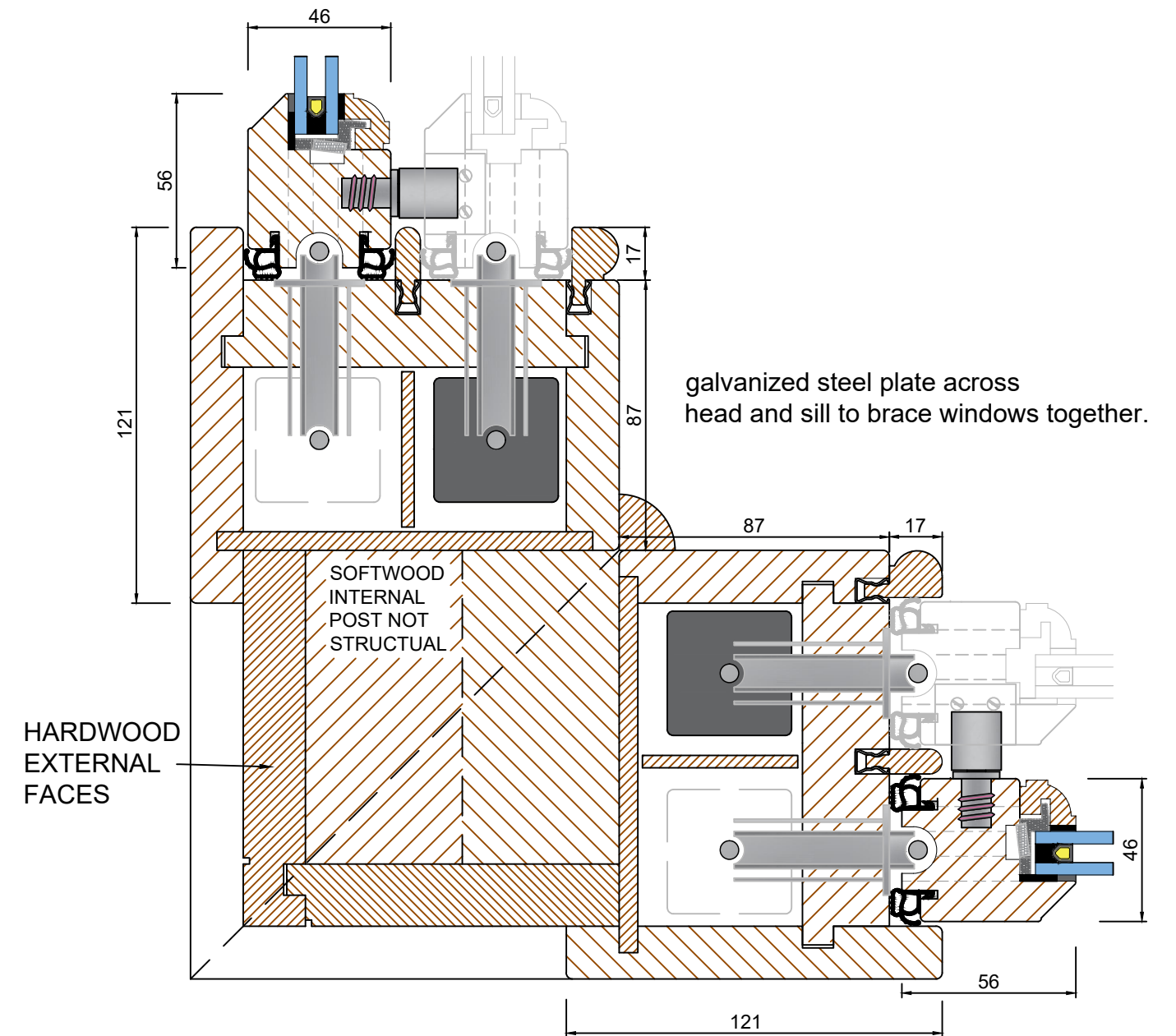
Tolerances: All tolerances are to NINE-ZERO Standard Tolerance definitions (Request technical document for more detail) unless stated on the drawing.
© NINE-ZERO. All rights reserved. No part of this drawing may be reproduced without the permission of NINE-ZERO.

TOLERANCES UNLESS OTHERWISE SPECIFIED			UNIT 9 CHANCERY GATE BUSINESS CENTRE RED LION ROAD, SURBITON KT6 7RA Tel: 0208 397 8696 EMAIL: HELLO@NINE-ZERO.CO.UK WEB: https://www.nine-zero.co.uk	BOX SASH WINDOW 14mm GLAZING	
ALL DIMENSIONS IN MM ALL LINEAR DIMENSIONS ±0.4 ALL ANGLE DIMENSIONS ±0.5° BREAK ALL SHARP EDGES 0.5				TRADITIONAL RANGE HORN AND BEADS/BARS	
THIRD ANGLE PROJECTION 		DRAWN BY: OTD DATE DRAWN: 26JUN21		DRAWING No: NZ-04-05	
				REV: B	

Angle Corner Post Option (Scale 1:2)



90° Corner Post Option (Scale 1:2)



Tolerances: All tolerances are to NINE-ZERO Standard Tolerance definitions (Request technical document for more detail) unless stated on the drawing.
 © NINE-ZERO. All rights reserved. No part of this drawing may be reproduced without the permission of NINE-ZERO.

ALL MEASUREMENTS ARE FINISHED DIMENSIONS IN MM. DO NOT SCALE DRAWING!

TOLERANCES UNLESS OTHERWISE SPECIFIED ALL DIMENSIONS IN MM ALL LINEAR DIMENSIONS ±0.4 ALL ANGLE DIMENSIONS ±0.5° BREAK ALL SHARP EDGES 0.5 THIRD ANGLE PROJECTION		NZ NINE ZERO UNIT 9 CHANCERY GATE BUSINESS CENTRE RED LION ROAD, SURBITON KT6 7RA Tel: 0208 997 8696 EMAIL: HELLO@NINE-ZERO.CO.UK WEB: https://www.nine-zero.co.uk	BOX SASH WINDOW 14mm GLAZING	SCALE N/A
TITLE TRADITIONAL RANGE CORNER POST OPTION				REV: B
DRAWN BY: OTD DATE DRAWN: 26JUN21	DRAWING No: NZ-04-06			